

Solition Light Traction

Technical data sheet

Applications



Cleaning machines



Pallet trucks

Technical characteristics and data

Specifications	LTB240250	LTB24050P	LTB24100P
Nominal voltage [V]	25.6	25.6	25.6
Nominal capacity (C5) [Ah]	25.0	50.0	100.0
Nominal energy [kWh]	0.64	1.28	2.56
Weight (approx.) [kg ± 5%]	7.0	12.0	23.0
Dimension incl. terminals LxWxH [mm]	196 x 165 x 175	318 x 165 x 215	505 x 172 x 247
Max. continuous discharge current [A]	25.0	50.0	80.0
Max. peak discharge current (10 sec) [A]	60.0	120.0	120.0 (30s)
End of discharge voltage [V]	< 22.0	< 22.0	< 22.0
Recommended charge current [A]	≤ 20.0	≤ 40.0	≤ 50.0
Charging voltage range [V]	27.6 to 28.8	27.8 to 28.8	27.8 to 28.8
Recommended charge voltage [A]	28.0	28.0	28.0
Float charging voltage [V]	27.6 ± 0.2	27.6 ± 0.2	27.6 ± 0.2
Gravimetric energy (Wh/kg)	106.7	102.4	106.7
Volumetric energy (Wh/L)	113.1	113.5	119.3
Terminal	FM6	FM8	FM8
Cycle life at 0.2C at 80% DoD and 25 °C	4000 cycles*		
LCD (SOC, Ah, t, V, A, W)	Wired Display RJ45 with serial connection via RJ45, cable length 2m		
External communication	No		
Max. system voltage [V]	25.6		
Parallel connection	up to 4 modules		
Series connection	No		
Chemistry	LFP (Lithium Iron Phosphate)		
Water/dust protection	IP54 (module)/IP44 (with display fitted)		
Charging temperature [°C]	0 to +45		
Discharge temperature [°C]	-20 to +55		
Storage temperature [°C]	-20 to +55		
Storage relative humidity [%]	25 to 75		
Certifications	UN38.3 / CE / UKCA / IEC62619 / IEC62133		
Shipping classification	UN3480, Class 9		

* Higher temperatures or higher discharge currents reduce the cycle life

Manufacturer: by /**MERICAS**
Exide Technologies GmbH • Im Thiergarten
63654 Büdingen, Germany

mericas-energy.com

SOLITION
LIGHT TRACTION

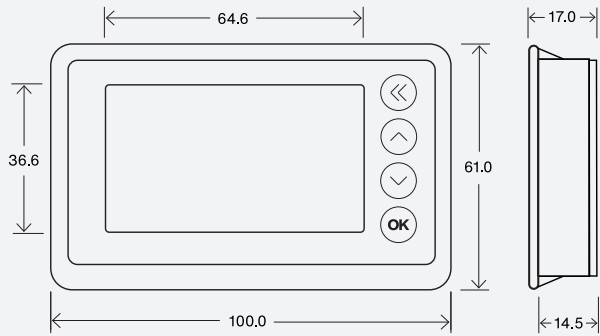
MERICAS®

Solition Light Traction

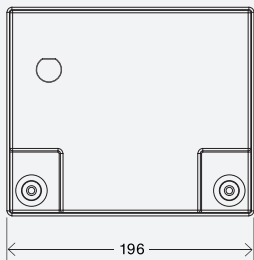
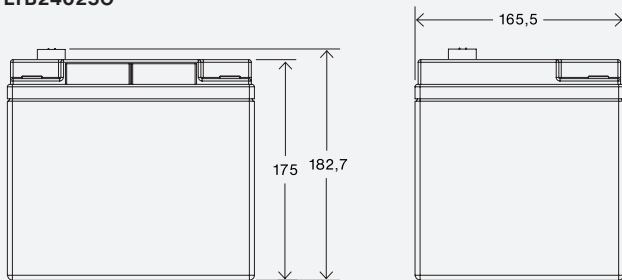
Technical data sheet

Technical drawing

Battery display



LTB240250



Not to scale!

Manufacturer: by /**MERICAS**
Exide Technologies GmbH • Im Thiergarten
63654 Büdingen, Germany

mericas-energy.com

SOLITION
LIGHT TRACTION

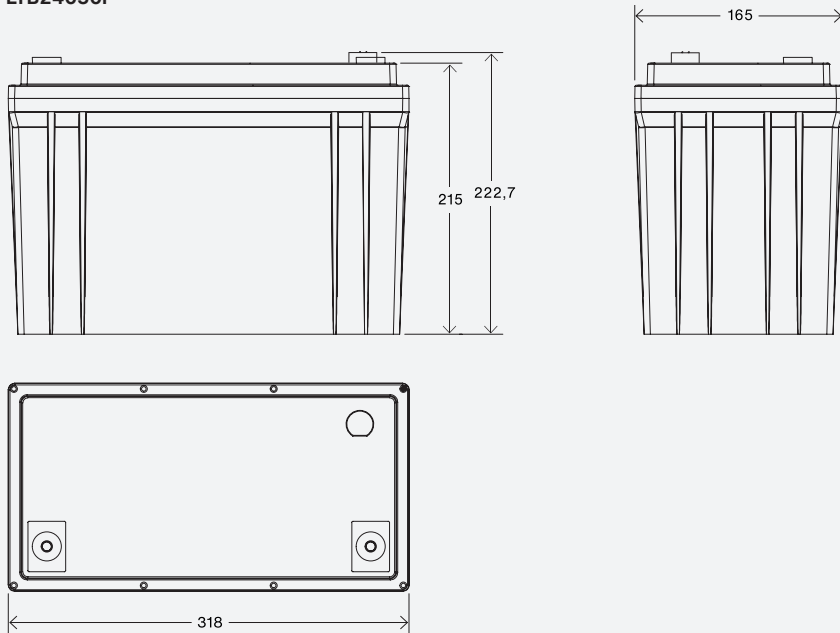
MERICAS[®]

Solition Light Traction

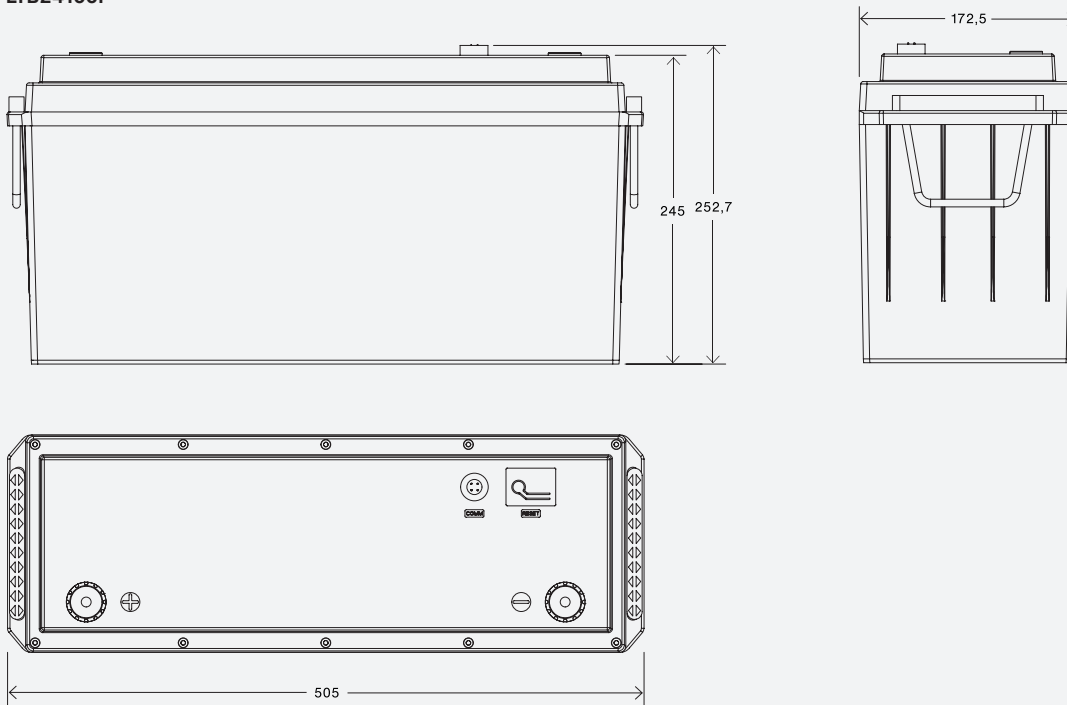
Technical data sheet

Technical drawing

LTB24050P



LTB24100P



Not to scale!

Manufacturer: by /MERICAS
Exide Technologies GmbH • Im Thiergarten
63654 Büdingen, Germany

mericas-energy.com

SOLUTION
LIGHT TRACTION

MERICAS[®]